



FORKLIFT LIGHTING

For Models : Forklifts All Sizes

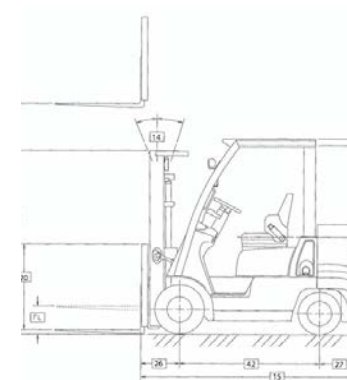
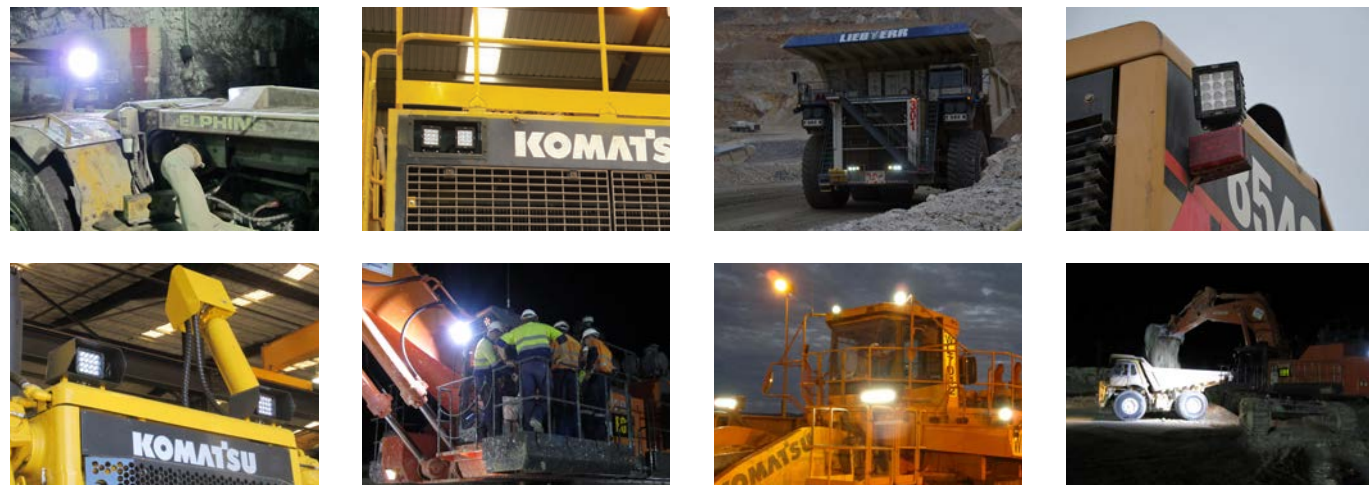


LED | LIGHTING CATALOG



ENGINEERED LIGHTING SOLUTIONS

Vision X lighting fixtures are not merely lighting systems, they are engineered lighting solutions. They provide increased efficiency, increased safety, decreased environmental impact, and decreased costs. Vision X LED lights offer a large increase in energy efficiency over older technologies while also increasing the safety and productivity of the working environment by outputting 80% more light than the fixtures used previously.



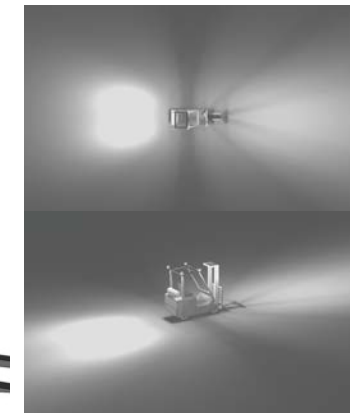
2D BLUEPRINT

Vision X Lighting begins each project with a customer provided list of machines to be retrofitted, then gathers the technical information for those machines.



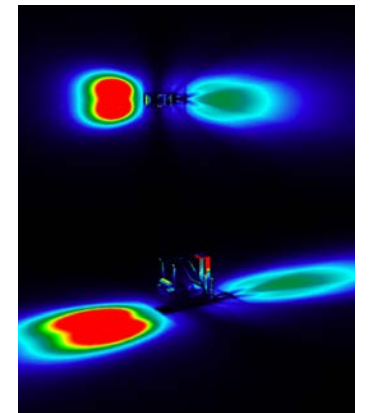
3D MODEL

A 3D model is built to the customer's specifications, then carried over into the rendering.



SIMULATION RENDER

A simulation rendering ensures the final product will meet the customer's lighting requirements.



SOLUTION

Vision X Lighting creates a complete breakdown of the customer's specific needs to meet their safety requirements.



FORKLIFT LIGHTING FITOUT GUIDE



1 DURA 4
TRAMMING LIGHTING
DURA-SERIES WORK LIGHT
 Number of Fixtures : 4
 Location : **Top of Cab Front, Back**
 Beam Pattern : **10/ 40/ 60°**
 Part # : **DURA-4XX**



2 DURA 6
WORK AREA LIGHTING
DURA-SERIES WORK LIGHT
 Number of Fixtures : **4, Optional**
 Location : **Top of Cab Front, Back**
 Beam Pattern : **10/ 40/ 60°**
 Part # : **DURA-6XX**



3 DURA 4SBV
SAFETY SPOT LIGHTING
DURA-SERIES WORK LIGHT
 Number of Fixtures : **1**
 Location : **Top of Cab Back**
 Colors Available : **Blue**
 Part # : **DURA-4SBV**



4 BEACON
ACCESSORY LIGHTING
LED STROBE BEACON
 Number of Fixtures : **1**
 Location : **Top of Cab**
 Colors Available : **Green, Red, Blue, Amber, White**
 Part # : **XIL-UB36W (White Shown)**





WORK AREA LIGHTING

Product Information

Project Name:
Date:
Type:

Application

Simple quick connect wiring allows for one time wiring and no further electrical wiring to change the fixture. Industry leading LED light output, size, weight and reliability for reduced unscheduled maintenance.

SPECIFICATIONS Duralux 4 LED

Mechanical Information:

Fixture Weight:	1.50 lbs (0.68kg)
Shipping Weight:	2.6 lbs (1.18kg)
Mounting	Single Bolt M6

Electric Specifications:

Operating Voltage:	11 - 65VDC
Wattage:	20W
Operating Temp:	-40°C - 80°C
Vibration:	15.6Grms
Connector:	2 Pin Deutsch

Construction:

Housing:	Die-Cast 6061 Aluminum
Finish:	Gloss Black
Lens:	Polycarbonate Lens

LED

LED:	LG
Amp Draw:	1.6A @12V
Lifespan:	50,000 hr

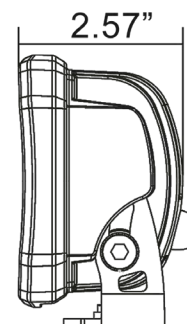
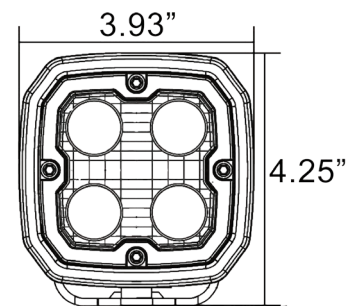
RATINGS:

EMC Emission:	(CISPR 25) Edition 3.0 (2008-03) Class 3
Ingress Protection:	IP-68, IP69k



ITEM #:	BEAM PATTERN
1 DURA-410	Flood 10°
DURA-440	Flood 40°
DURA-460	Flood 60°

2D DRAWING:



WORK AREA LIGHTING

Product Information

Project Name:
Date:
Type:

Application

Simple quick connect wiring allows for one time wiring and no further electrical wiring to change the fixture. Industry leading LED light output, size, weight and reliability for reduced unscheduled maintenance.

SPECIFICATIONS Duralux 6 LED

Mechanical Information:

Fixture Weight:	2.63 lbs (1.19kg)
Shipping Weight:	3.8 lbs (1.72kg)
Mounting	Single Bolt M6

Electric Specifications:

Operating Voltage:	11 - 65VDC
Wattage:	30W
Operating Temp:	-40°C - 80°C
Vibration:	60 Grms
Connector:	2 Pin Deutsch

Construction:

Housing:	Die-Cast 6061 Aluminum
Finish:	Gloss Black
Lens:	Polycarbonate Lens

LED

LED:	LG
Amp Draw:	2.5A @12V
Lifespan:	50,000 hr

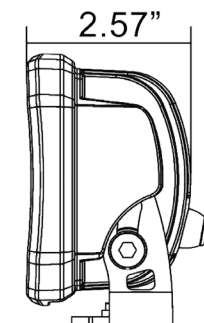
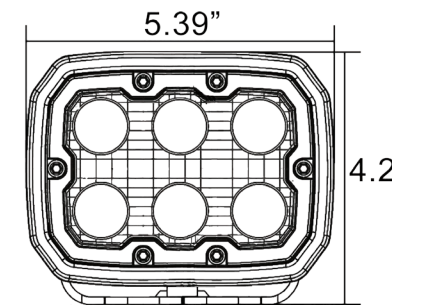
RATINGS:

EMC Emission:	(CISPR 25) Edition 3.0 (2008-03) Class 3
Ingress Protection:	IP-68, IP69k



ITEM #:	BEAM PATTERN
2 DURA-610	Flood 10°
DURA-640	Flood 40°
DURA-660	Flood 60°

2D DRAWING:





SAFETY SPOT LIGHTING

Product Information

Project Name:
Date:
Type:

Application

Simple quick connect wiring allows for one time wiring and no further electrical wiring to change the fixture. Industry leading LED light output, size, weight and reliability for reduced unscheduled maintenance. The tough and compact housing coupled with ultra bright Cree LEDs makes it the perfect light for any application.

SPECIFICATIONS Duralux 4 LED BLUE SPOT

Mechanical Information:

Fixture Weight:	1.59 lbs (0.72kg)
Shipping Weight:	2.6 lbs (1.18kg)
Mounting	Single Bolt M6

Electric Specifications:

Operating Voltage:	10 - 80VDC
Wattage:	12W
Operating Temp:	-40°C - 80°C
Vibration:	15.6Grms
Connector:	2 Pin Deutsch

Construction:

Housing:	Die-Cast 6061 Aluminum
Finish:	Gloss Black
Lens:	Polycarbonate Lens

LED

LED:	LG
Amp Draw:	0.5A@24V
Lifespan:	50,000 hr

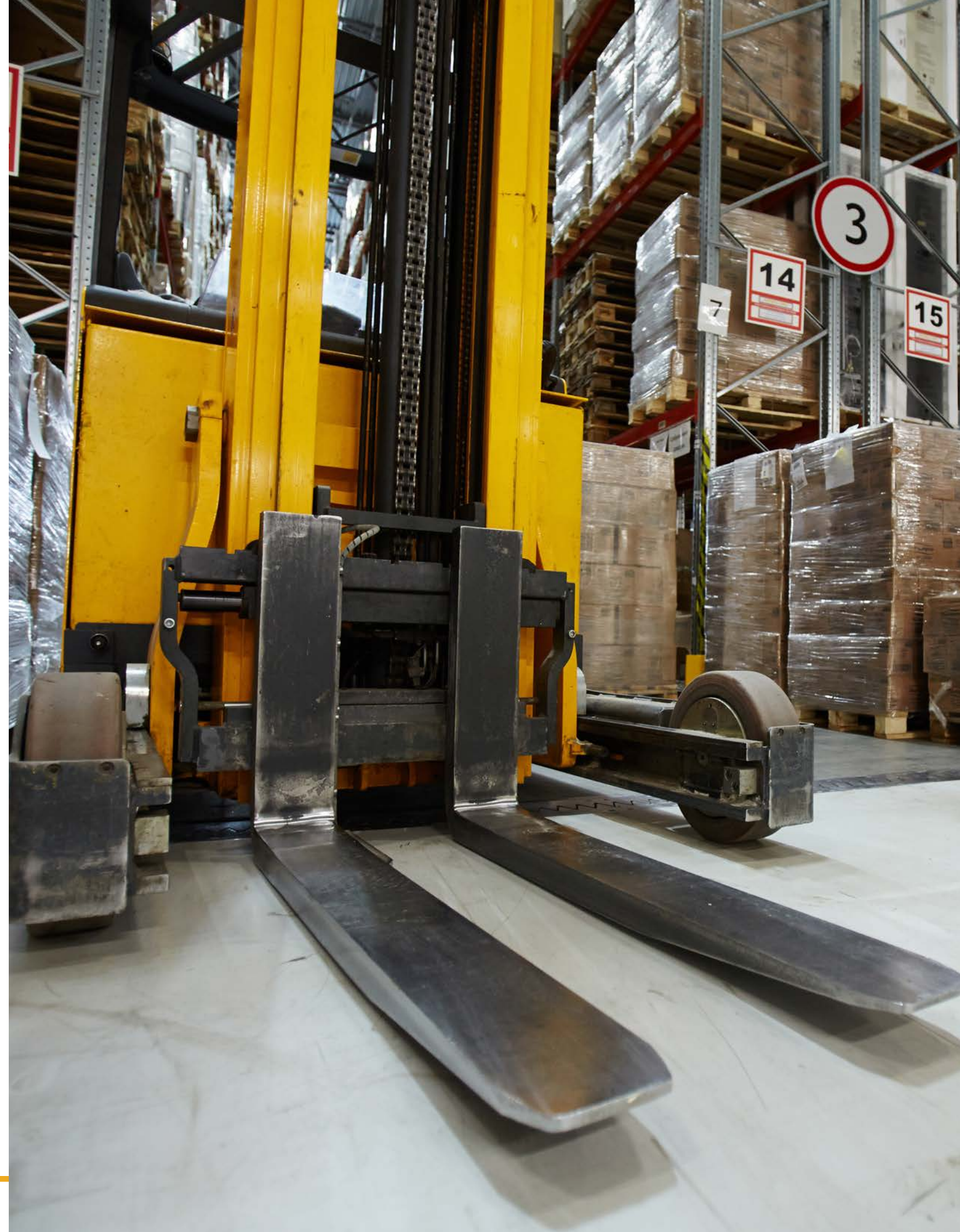
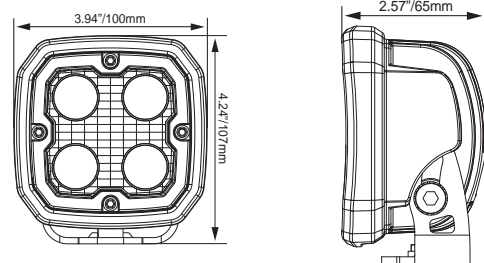
RATINGS:

EMC Emission:	(CISPR 25) Edition 3.0 (2008-03) Class 3
Ingress Protection:	IP-68, IP69k



ITEM #:	BEAM PATTERN
3 DURA-4SBV	Super Spot

2D DRAWING:





36 LED Strobe Beacon Information:

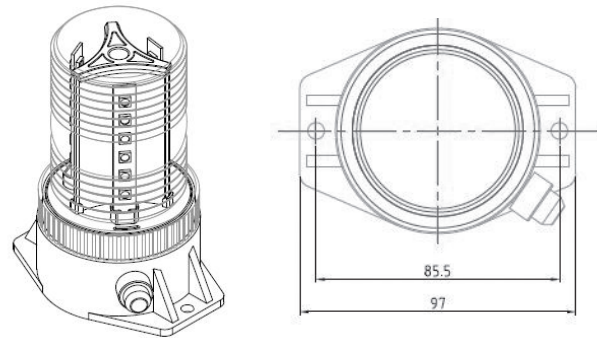
- Simulated Rotation or Flashing Functions
- Available in Amber, Blue, Green, Red, and White LEDs

Fixture Dimensions:	5.25" x 3.81" x 2.86"
Fixture Weight:	0.44lbs (0.20kg)
Wattage:	7.2W
Amp Draw:	0.8A @12V
Vibration Rating:	15.6 Grms
Application:	Full 360° Visibility Beacon
Lifespan:	50,000hr
Operating Temp:	-40°C - 80°C

RATINGS:

EMC Emission:	(CISPR 25) Edition 3.0 (2008-03) Class 3
Ingress Protection:	IP-68, IP69k

2D DRAWING:



STROBE BEACON

ITEM #:	COLOR
XIL-UB36A	Amber
XIL-UB36B	Blue
XIL-UB36G	Green
XIL-UB36R	Red
4 XIL-UB36W	White
XIL-UB36RGB	RGB

NOTES:



VISION X USA
1601 Boundary Blvd
Auburn WA 98001
United States of America
P: 253-218-2900
www.vxindustrial.com



VISION X ASIA
23-7 Dongtansandan
9-gil Dongtan-myeon Hwaseong-si
Gyeonggi-do 18487, Korea
P: 82-32-515-4814
www.visionxlighting.com